

Sparks-Withington Co.

Model: 930

Chassis:

Year: Pre 1932

Power:

Circuit:

IF:

Tubes:

Bands:

Resources

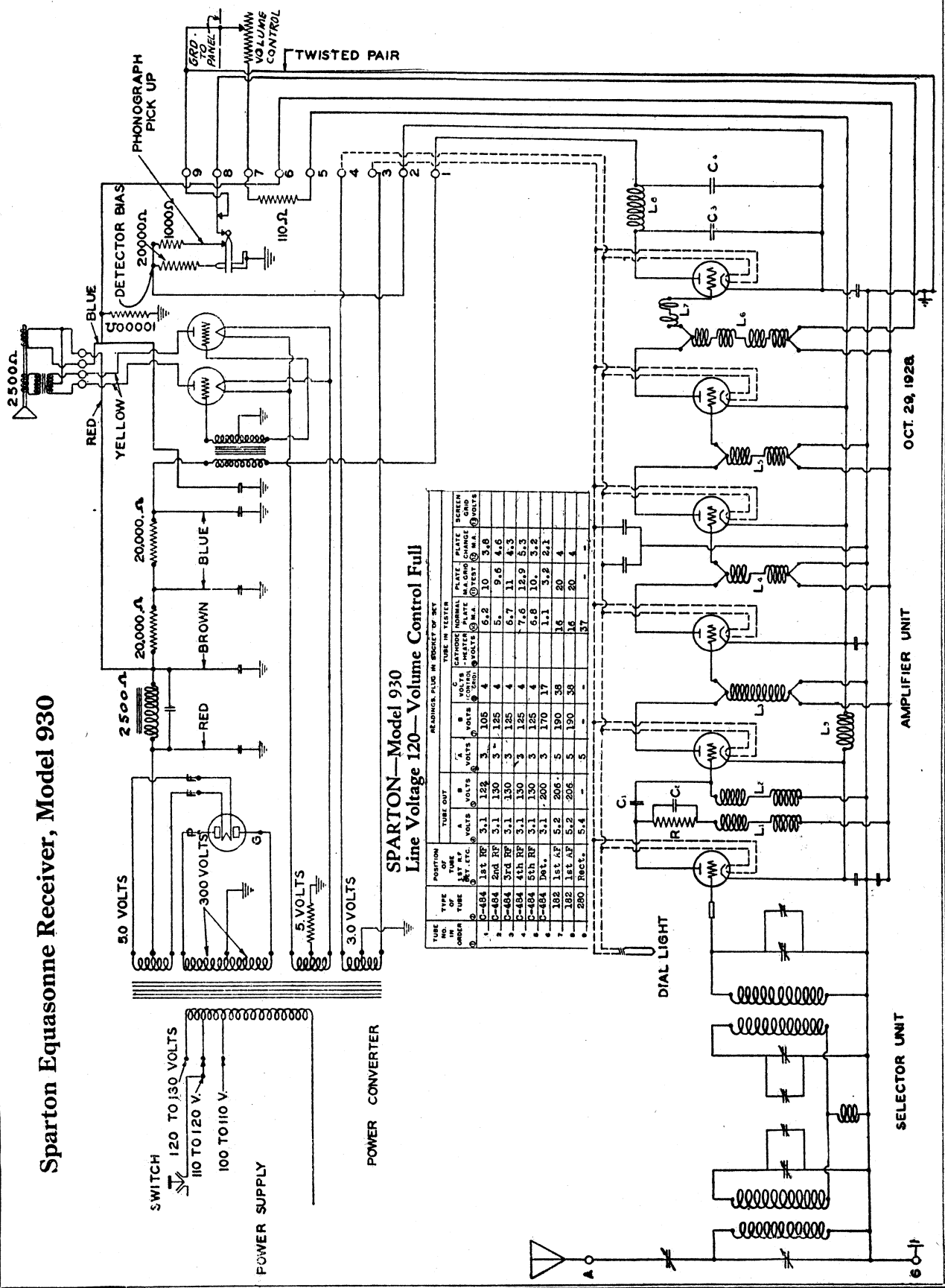
Riders Volume 1 - SPARTON 1-21

MODEL 930 AC

SPARKS WITHINGTON CO.

Sparton Equasone Receiver, Model 930

SPARTON—Model 930
Line Voltage 120—Volume Control Full



TUBE NO. IN ORDER	TYPE OF TUBE	TUBE OUT		TUBE IN TEST		TUBE IN TEST		TUBE IN TEST		TUBE IN TEST	
		A VOLTS	B VOLTS	C VOLTS	D VOLTS	CATHODE METER MULTIPLE	NORMAL PLATE M.A. RANGE	PLATE CHANGE @ 100 W.A.	SCREEN GRID VOLTS	SCREEN GRID VOLTS	SCREEN GRID VOLTS
1	6-484 1st RF	3.1	124	3	105	4	5.2	10	3.0	-	-
2	6-484 2nd RF	3.1	130	3	125	4	5.7	11	4.6	-	-
3	6-484 3rd RF	3.1	130	3	125	4	6.0	10	3.2	-	-
4	6-484 4th RF	3.1	130	3	125	4	7.6	12.9	5.3	-	-
5	6-484 5th RF	3.1	130	3	125	4	6.6	10	3.2	-	-
6	6-484 Det.	3.1	200	3	170	17	1.1	5.2	2.1	-	-
7	1B2 1st AF	5.2	205	5	190	38	16	20	4	-	-
8	1B2 1st AF	5.2	205	5	190	38	16	20	4	-	-
9	2B0 Rect.	5.4	-	5	-	-	37	-	-	-	-

OCT 29, 1928

AMPLIFIER UNIT

SELECTOR UNIT