

Zenith Radio Corp.

Model: 6-S-152

Chassis:

Year: Pre October 1936

Power:

Circuit:

IF:

Tubes:

Bands:

Resources

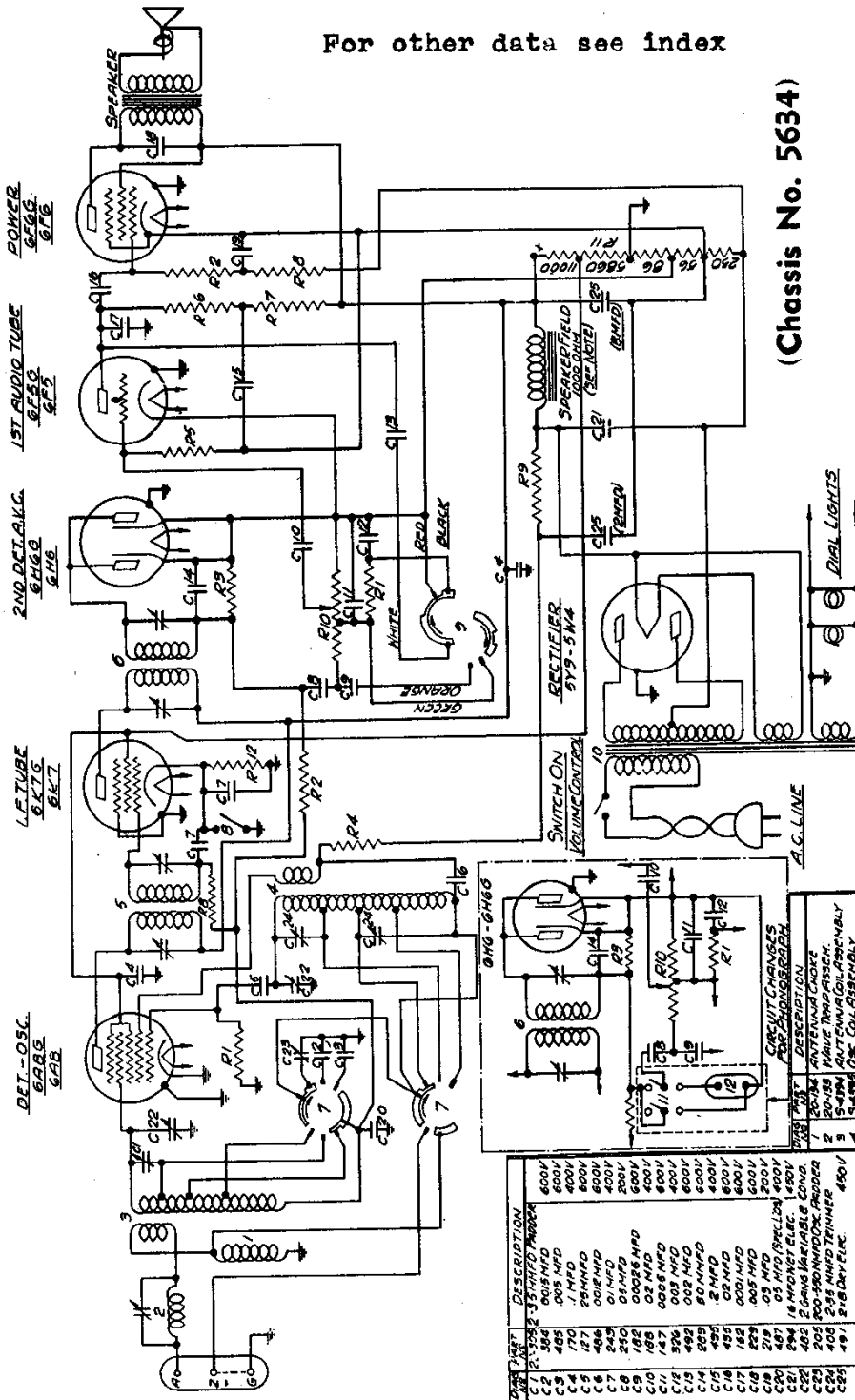
Riders Volume 7 - ZENITH 7-17

ZENITH RADIO CORP.

MODELS 6-S-128, 6-S-137
6-S-147, 6-S-152
6-S-157

Chassis 5634
Schematic, Parts

For other data see index



(Chassis No. 5634)

I.F. FREQUENCY 456 K.C.
6 TUBE SUPERHETERODYNE - 3 BAND
CHASSIS NO 5634

ZENITH RADIO CORPORATION
CHICAGO, ILLINOIS

SPEAKERS	MODELS
49-117-8"	6S-128
49-118-10"	6S-137
	6S-147
	6S-152
	6S-157

Models 6-S-128, 6-S-137, 6-S-147, 6-S-152, 6-S-157.

- CIRCUIT CHANGES**
- 1 6S-128 6S-137 6S-147 6S-152 6S-157
 - 2 6S-128 6S-137 6S-147 6S-152 6S-157
 - 3 6S-128 6S-137 6S-147 6S-152 6S-157
 - 4 6S-128 6S-137 6S-147 6S-152 6S-157
 - 5 6S-128 6S-137 6S-147 6S-152 6S-157
 - 6 6S-128 6S-137 6S-147 6S-152 6S-157
 - 7 6S-128 6S-137 6S-147 6S-152 6S-157
 - 8 6S-128 6S-137 6S-147 6S-152 6S-157
 - 9 6S-128 6S-137 6S-147 6S-152 6S-157
 - 10 6S-128 6S-137 6S-147 6S-152 6S-157
 - 11 6S-128 6S-137 6S-147 6S-152 6S-157
 - 12 6S-128 6S-137 6S-147 6S-152 6S-157

PART NO.	DESCRIPTION	QTY
C1	250V 50MFD 500V	1
C2	500V 50MFD 500V	1
C3	500V 50MFD 500V	1
C4	500V 50MFD 500V	1
C5	500V 50MFD 500V	1
C6	500V 50MFD 500V	1
C7	500V 50MFD 500V	1
C8	500V 50MFD 500V	1
C9	500V 50MFD 500V	1
C10	500V 50MFD 500V	1
C11	500V 50MFD 500V	1
C12	500V 50MFD 500V	1
R1	500 OHMS	1
R2	100 OHMS	1
R3	100 OHMS	1
R4	100 OHMS	1
R5	100 OHMS	1
R6	100 OHMS	1
R7	100 OHMS	1
R8	100 OHMS	1
R9	100 OHMS	1
R10	100 OHMS	1
R11	100 OHMS	1
R12	100 OHMS	1