

R.C.A. Victor Co., Inc.

Model: RADIOLA 46

Chassis:

Year: Pre 1932

Power:

Circuit:

IF:

Tubes:

Bands:

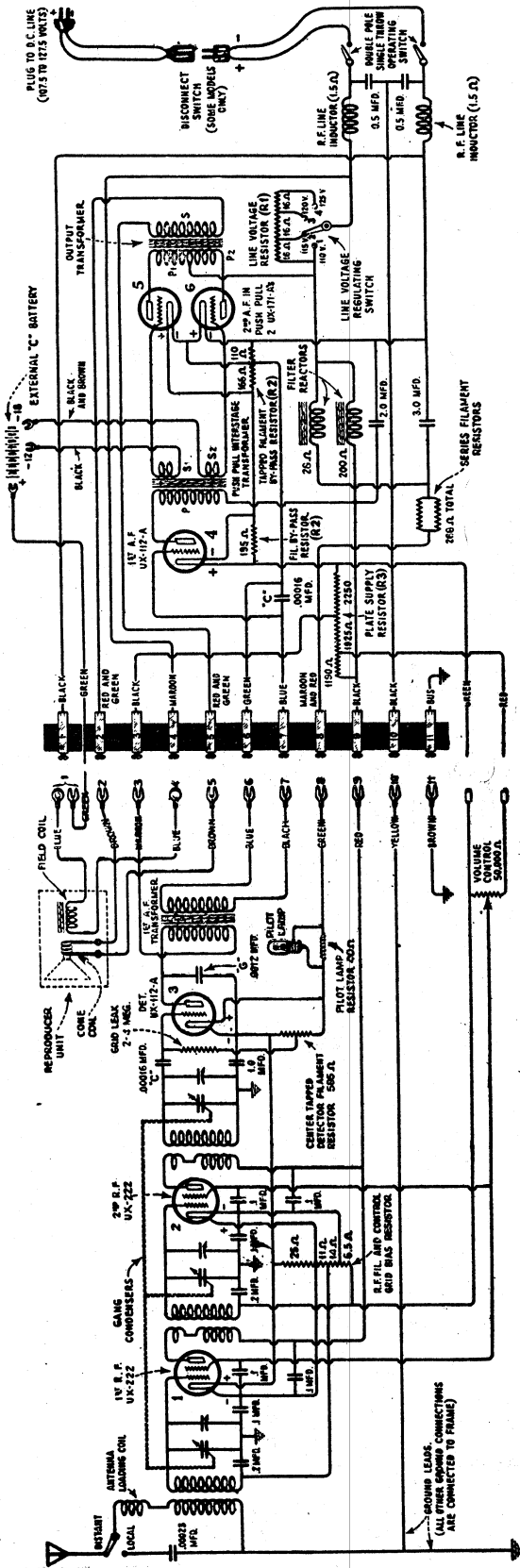
Resources

[Riders Volume 1 - R. C. A. 1-35](#)

[Riders Volume 1 - R. C. A. 1-36](#)

R. C. A. VICTOR CO., INC.

MODEL Radiola 46 DC
 MODEL Radiola 44 AC
 Terminal Voltage
 MODEL Radiola 46 AC
 Terminal Voltage



Model 44 AC Terminal Voltage

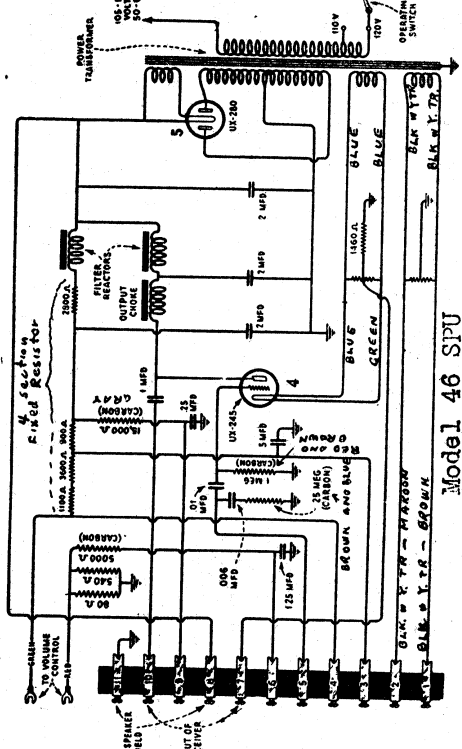
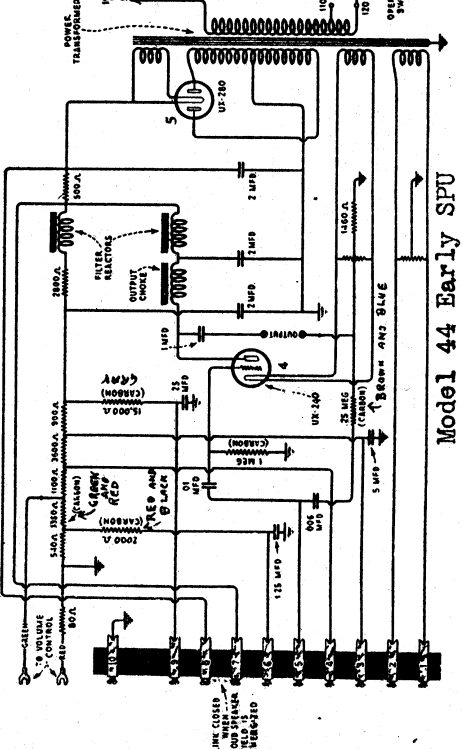
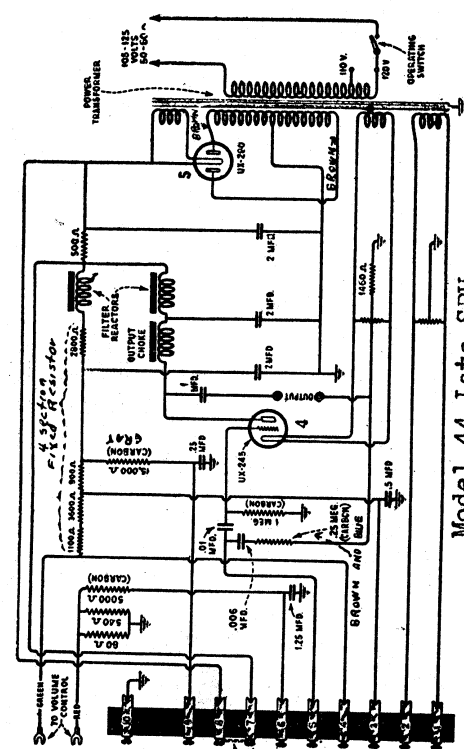
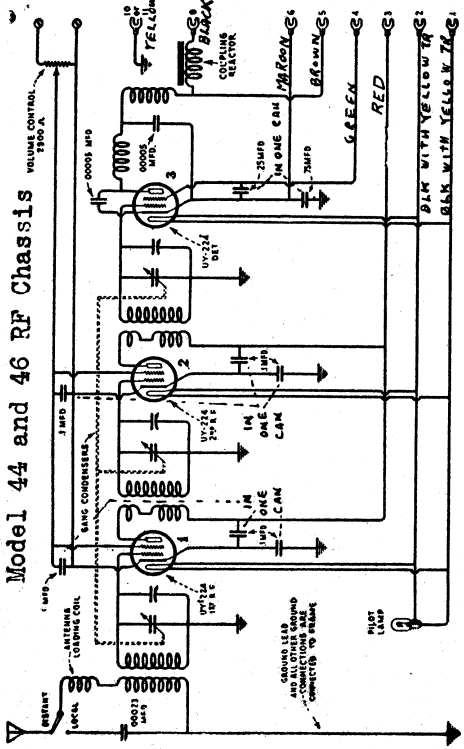
Terminals	Vol. Control at	
	Min.	Max.
1 to 2	2.5 A.C.	2.5 A.C.
3 to Red	185. D.C.	170. D.C.
VC lead	70. D.C.	60. D.C.
4 to 5	195. D.C.	180. D.C.
6 to 9	5. D.C.	5. D.C.
6 to 10	330. D.C.	330. D.C.
8 to 10	2.1 D.C.	2.1 D.C.
Red VC lead to 10	0.	70. D.C.
Arm of VC lead to Red		
VC lead		

Model 46 AC Terminal Voltage

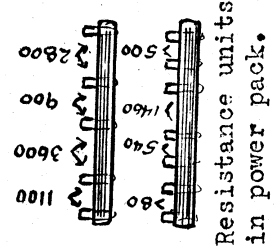
Terminals	Voltage Control. at	
	Min	Max
1 to 2	2.5 A.C.	2.5 A.C.
3 to Red	185. D.C.	170. D.C.
VC lead	70. D.C.	65. D.C.
4 to 6	195. D.C.	180. D.C.
6 to 9	5. D.C.	5. D.C.
6 to 11	320. D.C.	320. D.C.
8 to 11	2.1 D.C.	2.1 D.C.
Red VC lead to 11	0.	70. D.C.
Arm of VC lead to Red		
VC lead		

MODEL 44,46 RF Chassis
 MODEL 44 Early SPU
 MODEL 44 Late SPU
 MODEL 46 SPU

R. C. A. VICTOR CO., INC.



Models Radiolas 44, 46, 47 (1929)
 RADIOLA—Models 44-46
 Line Voltage 120—Set on 120 Volt Tap—Volume Con-
 trol Position Max



TUBE NO ORDER	TYPE	POSITION OF TUBE	TUBE OUT				TUBE IN TESTER				
			A VOLTS	B VOLTS	C VOLTS	D VOLTS	A VOLTS	B VOLTS	C VOLTS	D VOLTS	
22A	1st RF	1	2.50	164	1.5	1.5	3.8	2.3	45.0	PLATE	SCREEN
22A	2nd RF	2	2.50	164	1.5	1.5	3.8	2.3	45.0	CATHODE	NORMAL
22A	Det.	3	2.50	164	1.5	1.5	3.8	2.3	45.0	TEST @ 5 MA	TEST @ 5 MA
24A	Audio	4	2.65	336	6.0	0.1	0.8	0.7	50.0		
24B	Rect.	5	5.0	260	6.0	32.0	34.0	2.0	50.0		

