

R.C.A. Victor Co., Inc.

Model: 211

Chassis:

Year: Pre November 1935

Power:

Circuit:

IF:

Tubes:

Bands:

Resources

[Riders Volume 6 - RCA 6-22](#)

[Riders Volume 6 - RCA 6-23](#)

[Riders Volume 6 - RCA 6-24](#)

MODELS 118, 211

1935 Production

RCA MFG. CO., INC.

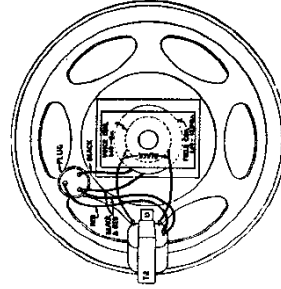
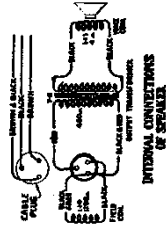
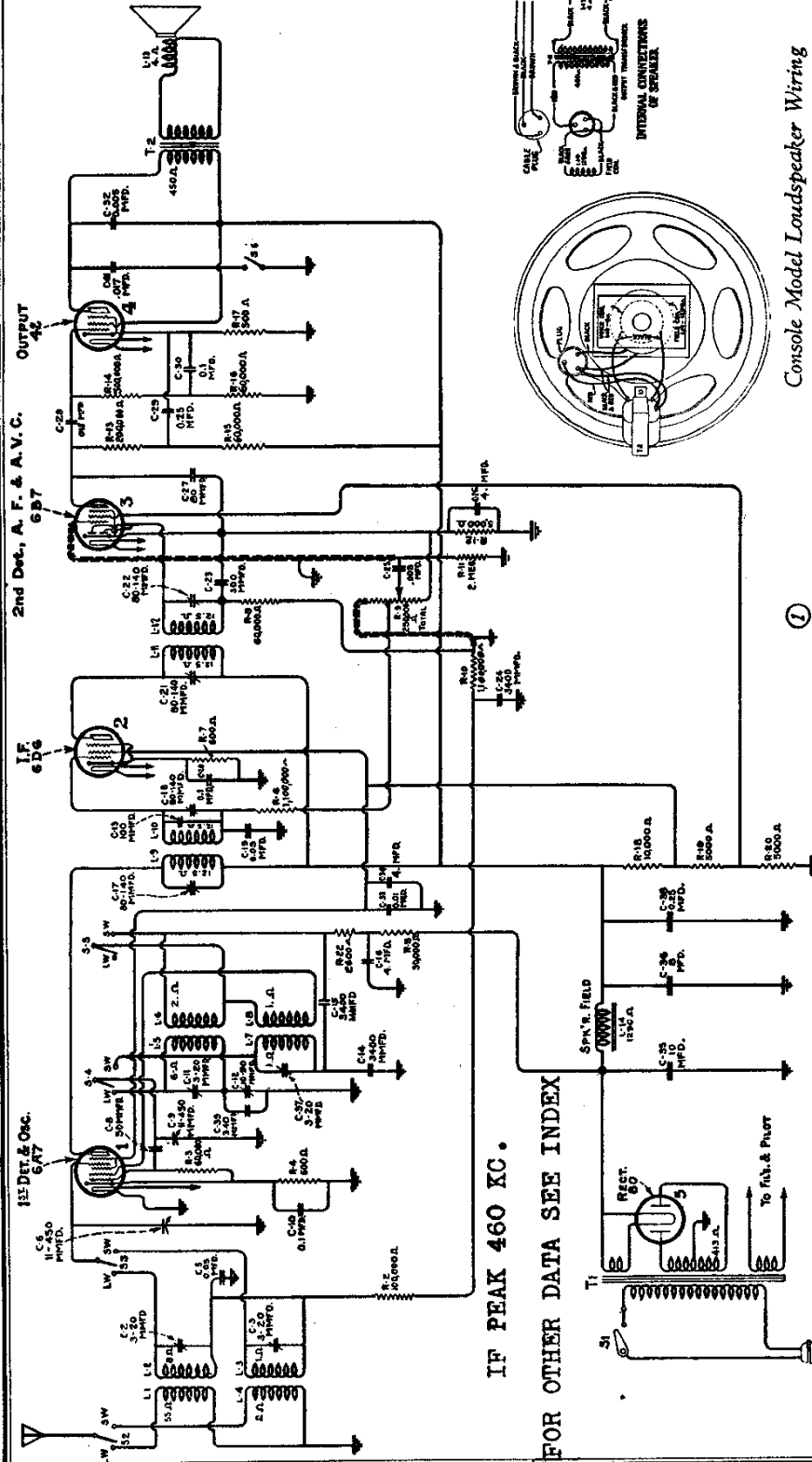
Parts List

REPLACEMENT PARTS—Models 118 and 211 (1935 Production)

Stock No.	DESCRIPTION	List Price	Stock No.	DESCRIPTION	List Price
RECEIVER ASSEMBLIES					
4379	Board—Terminal board—Two terminals and link—Engraved "ANT-GND".....	\$0.20	4433	Transformer—Second intermediate frequency transformer (L11, L12, C21, C22, C23, R8).....	\$2.15
4880	Bracket—Tone control mounting bracket.....	.12	9512	Transformer—Power transformer—105-125 volts—25-40 cycles.....	6.58
4427	Bracket—Volume control mounting bracket.....	.18	9513	Transformer—Power transformer—105-250 volts—40-60 cycles.....	4.85
4244	Cap—Grid contact cap.....	.20	9511	Transformer—Power transformer—105-125 volts—50-60 cycles.....	4.78
3861	Capacitor—Adjustable capacitor—10-100 mmfd. (C12).....	.78	4429	Volume control (R9, S1).....	1.40
4793	Capacitor—0.005 mfd. (C25).....	.20	DRIVE ASSEMBLIES		
4868	Capacitor—0.005 mfd. (C32).....	.20	10194	Ball—Steel ball for condenser drive assembly—Package of 20.....	.25
4883	Capacitor—0.01 mfd. (C33).....	.20	4422	Clutch—Condenser drive clutch assembly complete.....	1.00
4792	Capacitor—0.015 mfd. (C28).....	.22	4474	Dial—Station selector dial (table model).....	.76
4752	Capacitor—0.017 mfd. (C31).....	.26	4450	Dial—Station selector dial (console model).....	.52
4836	Capacitor—0.05 mfd. (C5, C19).....	.30	4434	Drive—Tuning condenser drive assembly.....	2.42
4442	Capacitor—50 mmfd. (C8).....	.22	4340	Lamp—Dial lamp—Package of 5.....	.60
4509	Capacitor—80 mmfd. (C27).....	.15	4363	Pointer—Station selector pointer (console model).....	.18
4791	Capacitor—0.1 mfd. (C10, C20, C30).....	.24	4475	Pointer—Station selector pointer (table model).....	.18
3597	Capacitor—0.25 mfd. (C29, C38).....	.40	3943	Screen—Translucent screen for dial lamps—Package of 2.....	.18
4811	Capacitor—340 mmfd. (C39).....	.25	3529	Socket—Dial lamp socket.....	.32
4439	Capacitor—3400 mmfd. (C14).....	.35	REPRODUCER ASSEMBLIES		
4881	Capacitor—3400 mmfd. (C15, C24).....	.20	(TABLE MODEL)		
3796	Capacitor—4.0 mfd. (C26).....	.60	4915	Cable—3-conductor reproducer cable—Complete with 3-contact female connector plug.....	.50
4428	Capacitor—8.0 mfd. (C36).....	1.05	9587	Coil—Field coil magnet and cone support (L14).....	2.18
7790	Capacitor—10.0 mfd. (C35).....	1.05	9588	Cone—Reproducer cone (L13)—Package of 5.....	3.55
7589	Capacitor pack—Comprising two 4.0 mfd. capacitors (C16, C34).....	1.64	5118	Connector—3-contact male connector plug for reproducer.....	.25
4358	Clamp—Electrolytic capacitor mounting clamp.....	.15	5119	Connector—3-contact female connector plug for reproducer cable.....	.25
5087	Coil—Antenna coil (L1, L2, L3; L4, C2, C3).....	1.86	9586	Reproducer—Complete.....	5.95
5089	Coil—Oscillator coil (L5, L6, L7, L8, C11, C37).....	1.90	4893	Transformer—Output transformer (T2).....	1.48
4504	Condenser—2-gang variable tuning condenser (C6, C9).....	2.78	REPRODUCER ASSEMBLIES		
4788	Insulator—Radiotron socket insulator—Package of 5.....	.20	(CONSOLE MODEL)		
3708	Resistor—600 ohms—Carbon type— $\frac{1}{4}$ watt (R4, R7)—Package of 5.....	1.00	9590	Coil—Field coil magnet and cone support (L14).....	4.20
4812	Resistor—2600 ohms—Carbon type— $\frac{1}{4}$ watt (R22)—Package of 5.....	1.00	8935	Cone—Reproducer cone (L13)—Package of 5.....	5.25
4436	Resistor—5000 ohms—Carbon type— $\frac{1}{4}$ watt (R12)—Package of 10.....	2.00	9589	Reproducer—Complete.....	8.20
2240	Resistor—30,000 ohms—Carbon type—1 watt (R5).....	.22	4892	Transformer—Output transformer (T2).....	1.30
3602	Resistor—60,000 ohms—Carbon type— $\frac{1}{4}$ watt (R3, R8, R15, R16)—Package of 5.....	1.00	MISCELLANEOUS ASSEMBLIES		
3118	Resistor—100,000 ohms—Carbon type— $\frac{1}{4}$ watt (R2)—Package of 5.....	1.00	6840	Escutcheon—Station selector escutcheon—Console model.....	.56
3116	Resistor—200,000 ohms—Carbon type— $\frac{1}{4}$ watt (R13)—Package of 5.....	1.00	6706	Escutcheon—Station selector escutcheon—Table model.....	.42
6186	Resistor—500,000 ohms—Carbon type— $\frac{1}{4}$ watt (R14)—Package of 5.....	1.00	6614	Glass—Station selector dial glass—Console model.....	.30
4783	Resistor—1,100,000 ohms—Carbon type— $\frac{1}{4}$ watt (R6, R10)—Package of 5.....	1.00	6707	Glass—Station selector dial glass—Table model.....	.20
6242	Resistor—2 megohms—Carbon type— $\frac{1}{4}$ watt (R11)—Package of 5.....	1.00	4449	Knob—Station selector, range switch, tone control switch or volume control knob—Package of 5.....	.60
4721	Resistor—Tapped resistor—One 10,000 ohm, two 5,000 ohm and one 500 ohm section (R17, R18, R19, R20).....	.88	6615	Ring—Spring retaining ring for dial glass—Console model—Package of 5.....	.34
4521	Shield—Antenna, r-f or oscillator coil shield.....	.42	6708	Ring—Spring retaining ring for dial glass—Table model—Package of 5.....	.44
3942	Shield—First detector-oscillator Radiotron shield.....	.18	4685	Screw—Chassis mounting screw assembly—Comprising four screws, four spacers, four lockwashers, four washers and eight cushions (for console model).....	.40
7487	Shield—I.F. Radiotron shield.....	.25	4446	Screw—Chassis mounting screw assembly—Comprising four screws, four spacers, four lockwashers, four washers and eight cushions (for table model).....	.28
3782	Shield—Second detector Radiotron shield.....	.26			
4784	Socket—4-contact Radiotron socket.....	.15			
4785	Socket—6-contact output Radiotron socket.....	.15			
4786	Socket—6-contact i-f Radiotron socket.....	.15			
4787	Socket—7-contact Radiotron socket.....	.15			
5088	Switch—Range switch (S2, S3, S4, S5, SW, LW).....	1.35			
5052	Switch—Tone control switch (S6).....	.30			
4431	Transformer—First intermediate frequency transformer (L9, L10, C13, C17, C18).....	2.28			

RCA MFG. CO., INC.

MODELS 118,211
1935 Production
Schematic, Voltage
Speaker Wiring



Console Model Loudspeaker Wiring

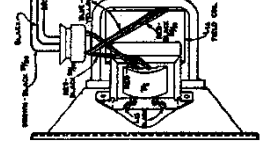


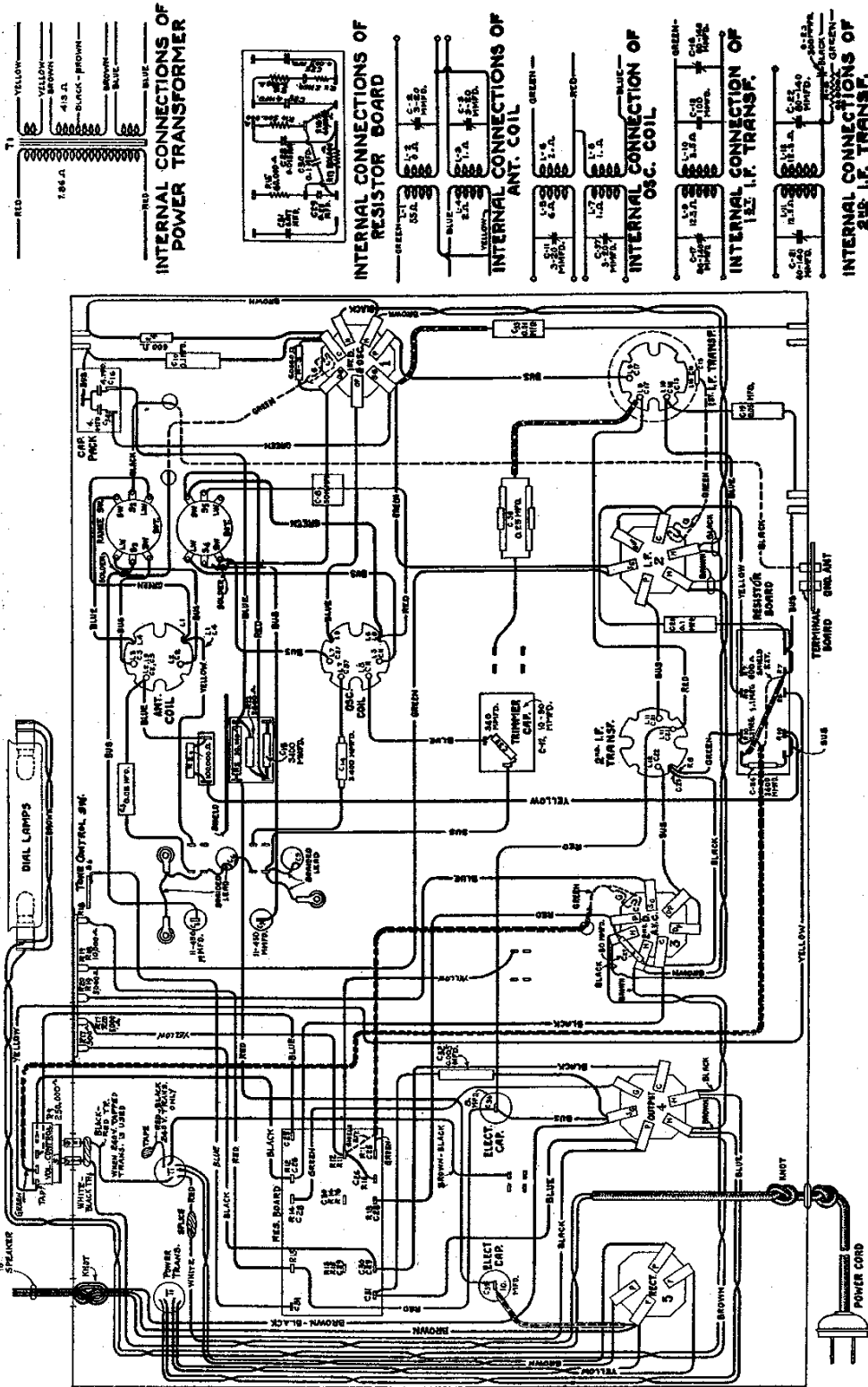
Table Model Loudspeaker Wiring

Radiotron		Cathode to Ground Volts, D. C.	Screen Grid to Ground Volts, D. C.	Plate to Ground Volts, D. C.	Plate Current, M. A.	Heater Volts, A. C.
Detector	RCA-6A7	6.0	105	265	3.5	6.3
	Oscillator			220	4.5	
RCA-6D6 I. F.		6.0	105	265	9.0	6.3
RCA-6B7 2nd Det.		3.0	50*	90*	0.7	6.3
RCA-4Z Power		16.5	265	245	30.0	6.3
RCA-80 Rectifier		—	—	690 (Plate to Plate)	64.0	5.0

Courtesy Nostalgia Air

MODELS 118, 211
Chassis Wiring

RCA MFG. CO., INC.



Wiring Diagram
Model 118 and Model 211 (1935 Production)

Recently manufactured receivers of Models 118 and 211 contain a number of modifications in circuit and assembly. These changes appear in the following data and on the schematic and wiring diagrams. The major items affected are the speaker cable connection, type of Radiotron in output stage, band switch and voltage divider system.